

S E I Y A



SEIYA: RAS - B05S4KVG-E

- A++ in both Heating and cooling.
- Power supply to indoor or outdoor unit.
- Sleek and compact suitable for all applications.
- Available in both single and multi split applications.
- Compatible with WI-FI with adapter in the box as standard.



Retail Price (interactive icons):



UK



ROI



Hi - Res Image



ENTRY TIER PRODUCT RANGE

Performance

Indoor Unit	RAS-	B05S4KVG-E
Outdoor Unit	RAS-	05E2AVG-E
Nominal	Cooling Capacity	kW 1.5
	Heating Capacity	kW 2.0
	EER/COP	W/W 4.17/4.26
UK	Cooling Total/Sensible	kW 1.47/1.22
	Heating	kW 1.18
Cooling EN14825	Range Min. - Max.	kW 0.75 - 2.00
	Power Input	kW 0.36
	Pdesign	kW 1.5
	SEER/Energy Efficiency Class	6.90/A++
	Seasonal Energy Consumption	kWh/a 76

Indoor Data

Air Flow	High - Low	l/s	134 - 53
	High - Low	m3/h	480 - 190
Sound	Pressure High - Low	dB(A)	37 - 19
	Power High - Low	dB(A)	50
Unit	Height x Width x Depth	mm	288 x 770 x 225
	Weight	kg	9
Pipe Connection	Flare Connections (gas - liquid)	inch	3/8" - 1/4"
	Drain Pipe Connection OD/ID	mm	16/14
Remote controller			WH-TG01NE

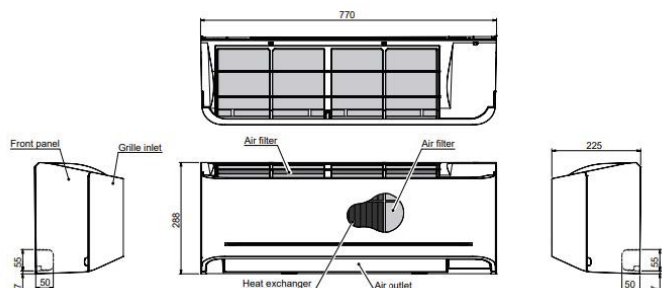
Accessories

RB-RXS33-E	Option Remote Controller (Weekly Timer)
RB-RXS34-E	Option Black remote

*All Accessories / Controls

Related Items:

- [Full Specification](#)
- [Dimensional Drawing](#)
- [Wiring Diagram](#)
- [Airflow/ Fan Curve](#)
- [Installation Manual](#)
- [Owners Manual](#)



SEIYA: RAS - B07S4KVG-E

- A++ in both Heating and cooling.
- Power supply to indoor or outdoor unit.
- Sleek and compact suitable for all applications.
- Available in both single and multi split applications.
- Compatible with WI-FI with adapter in the box as standard.



Retail Price (interactive icons):



UK



ROI



Hi - Res Image



ENTRY TIER PRODUCT RANGE

Performance

Indoor Unit	RAS-	B07S4KVG-E
Outdoor Unit	RAS-	07E2AVG-E
Nominal	Cooling Capacity	kW 2.0
	Heating Capacity	kW 2.5
	EER/COP	W/W 3.77/3.91
UK	Cooling Total/Sensible	kW 1.95/1.57
	Heating	kW 1.60
Cooling EN14825	Range Min. - Max.	kW 0.76 - 2.60
	Power Input	kW 0.53
	Pdesign	kW 2.0
	SEER/Energy Efficiency Class	6.20/A++
	Seasonal Energy Consumption	kWh/a 113

Indoor Data

Air Flow	High - Low	l/s	140 - 55
	High - Low	m3/h	500 - 200
Sound	Pressure High - Low	dB(A)	38 - 19
	Power High - Low	dB(A)	51
Unit	Height x Width x Depth	mm	288 x 770 x 225
	Weight	kg	9
Pipe Connection	Flare Connections (gas - liquid)	inch	3/8" - 1/4"
	Drain Pipe Connection OD/ID	mm	16/14
Remote controller			WH-TG01NE

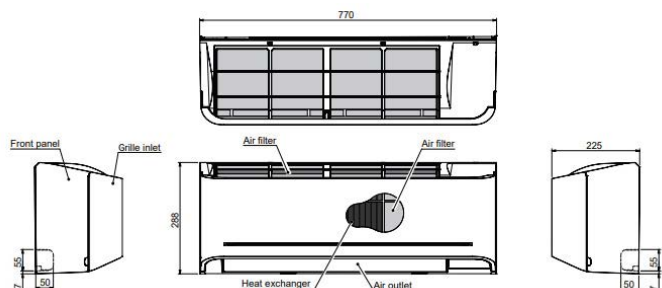
Accessories

RB-RXS33-E	Option Remote Controller (Weekly Timer)
RB-RXS34-E	Option Black remote

*All [Accessories / Controls](#)

Related Items:

- [Full Specification](#)
- [Dimensional Drawing](#)
- [Wiring Diagram](#)
- [Airflow/ Fan Curve](#)
- [Installation Manual](#)
- [Owners Manual](#)



SEIYA: RAS - B10S4KVG-E

- A++ in both Heating and cooling.
- Power supply to indoor or outdoor unit.
- Sleek and compact suitable for all applications.
- Available in both single and multi split applications.
- Compatible with Wi-Fi with adapter in the box as standard.



Retail Price (interactive icons):



UK



ROI



Hi - Res Image



ENTRY TIER PRODUCT RANGE

Performance			
Indoor Unit	RAS-		B10S4KVG-E
Outdoor Unit	RAS-		10E2AVG-E
Nominal	Cooling Capacity	kW	2.5
	Heating Capacity	kW	3.2
	EER/COP	W/W	3.57/3.72
UK	Cooling Total/Sensible	kW	2.44/1.93
	Heating	kW	2.03
Cooling EN14825	Range Min. - Max.	kW	0.80 - 3.00
	Power Input	kW	0.70
	Pdesign	kW	2.5
	SEER/Energy Efficiency Class		7.00/A++
	Seasonal Energy Consumption	kWh/a	125

Indoor Data			
Air Flow	High - Low	l/s	144 - 64
	High - Low	m3/h	510 - 230
Sound	Pressure High - Low	dB(A)	39 - 20
	Power High - Low	dB(A)	52
Unit	Height x Width x Depth	mm	288 x 770 x 225
	Weight	kg	9
Pipe Connection	Flare Connections (gas - liquid)	inch	3/8" - 1/4"
	Drain Pipe Connection OD/ID	mm	16/14
Remote controller			WH-TG01NE

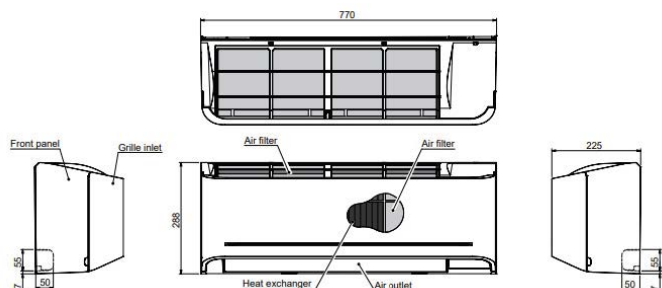
Accessories

RB-RXS33-E	Option Remote Controller (Weekly Timer)
RB-RXS34-E	Option Black remote

*All Accessories / Controls

Related Items:

- [Full Specification](#)
- [Dimensional Drawing](#)
- [Wiring Diagram](#)
- [Airflow/ Fan Curve](#)
- [Installation Manual](#)
- [Owners Manual](#)



SEIYA: RAS - B13S4KVG-E

- A++ in both Heating and cooling.
- Power supply to indoor or outdoor unit.
- Sleek and compact suitable for all applications.
- Available in both single and multi split applications.
- Compatible with WI-FI with adapter in the box as standard.



Retail Price (interactive icons):



UK



ROI



Hi - Res Image



ENTRY TIER PRODUCT RANGE

Performance			
Indoor Unit	RAS-		B13S4KVG-E
Outdoor Unit	RAS-		13E2AVG-E
Nominal	Cooling Capacity	kW	3.3
	Heating Capacity	kW	3.6
	EER/COP	W/W	3.30/4.14
UK	Cooling Total/Sensible	kW	3.22/2.49
	Heating	kW	2.20
Cooling EN14825	Range Min. - Max.	kW	1.20 - 3.60
	Power Input	kW	1.00
	Pdesign	kW	3.3
	SEER/Energy Efficiency Class		7.00/A++
	Seasonal Energy Consumption	kWh/a	165

Indoor Data			
Air Flow	High - Low	l/s	208 - 92
	High - Low	m3/h	750 - 330
Sound	Pressure High - Low	dB(A)	42 - 21
	Power High - Low	dB(A)	54
Unit	Height x Width x Depth	mm	293 x 798 x 230
	Weight	kg	9
Pipe Connection	Flare Connections (gas - liquid)	inch	3/8" - 1/4"
	Drain Pipe Connection OD/ID	mm	16/14
Remote controller			WH-TG01NE

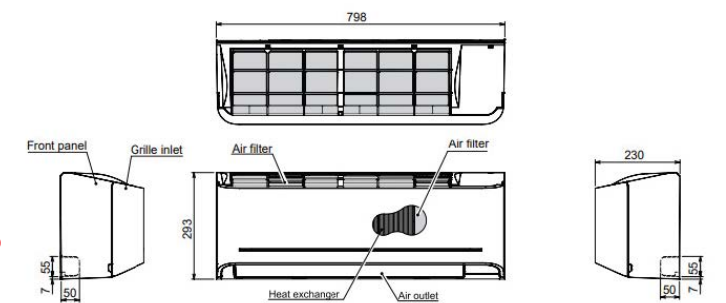
Accessories

RB-RXS33-E	Option Remote Controller (Weekly Timer)
RB-RXS34-E	Option Black remote

*All [Accessories / Controls](#)

Related Items:

- [Full Specification](#)
- [Dimensional Drawing](#)
- [Wiring Diagram](#)
- [Airflow/ Fan Curve](#)
- [Installation Manual](#)
- [Owners Manual](#)



SEIYA: RAS - B16S4KVG-E

- A++ in both Heating and cooling.
- Power supply to indoor or outdoor unit.
- Sleek and compact suitable for all applications.
- Available in both single and multi split applications.
- Compatible with Wi-Fi with adapter in the box as standard.



Retail Price (interactive icons):



UK



ROI



Hi - Res Image



ENTRY TIER PRODUCT RANGE

Performance			
Indoor Unit	RAS-		B16S4KVG-E
Outdoor Unit	RAS-		16E2AVG-E
Nominal	Cooling Capacity	kW	4.2
	Heating Capacity	kW	5.0
	EER/COP	W/W	3.31/3.73
UK	Cooling Total/Sensible	kW	4.49/3.36
	Heating	kW	3.33
Cooling EN14825	Range Min. - Max.	kW	1.40 - 4.70
	Power Input	kW	1.27
	Pdesign	kW	4.2
	SEER/Energy Efficiency Class		7.00/A++
	Seasonal Energy Consumption	kWh/a	210

Indoor Data			
Air Flow	High - Low	l/s	212 - 92
	High - Low	m3/h	760 - 330
Sound	Pressure High - Low	dB(A)	43 - 22
	Power High - Low	dB(A)	56
Unit	Height x Width x Depth	mm	293 x 798 x 230
	Weight	kg	9
Pipe Connection	Flare Connections (gas - liquid)	inch	1/2" - 1/4"
	Drain Pipe Connection OD/ID	mm	16/14
Remote controller			WH-TG01NE

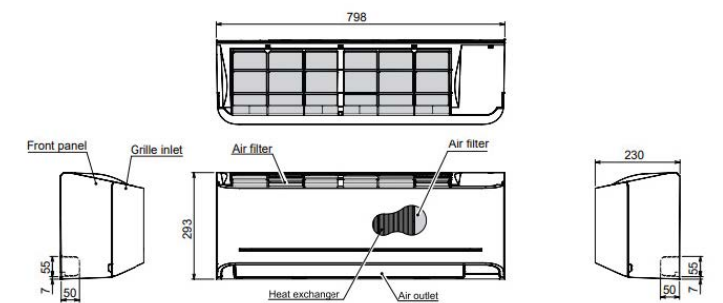
Accessories

RB-RXS33-E	Option Remote Controller (Weekly Timer)
RB-RXS34-E	Option Black remote

*All Accessories / Controls

Related Items:

- [Full Specification](#)
- [Dimensional Drawing](#)
- [Wiring Diagram](#)
- [Airflow/ Fan Curve](#)
- [Installation Manual](#)
- [Owners Manual](#)



SEIYA: RAS - B18S4KVG-E

- A++ in both Heating and cooling.
- Power supply to indoor or outdoor unit.
- Sleek and compact suitable for all applications.
- Available in both single and multi split applications.
- Compatible with WI-FI with adapter in the box as standard.



Retail Price (interactive icons):



UK



ROI



Hi - Res Image



ENTRY TIER PRODUCT RANGE

Performance

Indoor Unit	RAS-	B18S4KVG-E
Outdoor Unit	RAS-	18E2AVG-E
Nominal	Cooling Capacity	kW 5.0
	Heating Capacity	kW 5.4
	EER/COP	W/W 3.33/3.60
UK	Cooling Total/Sensible	kW 4.88/3.57
	Heating	kW 3.34
Cooling EN14825	Range Min. - Max.	kW 1.45 - 5.50
	Power Input	kW 1.50
	Pdesign	kW 5.0
	SEER/Energy Efficiency Class	7.00/A++
	Seasonal Energy Consumption	kWh/a 250

Indoor Data

Air Flow	High - Low	l/s	233 - 133
	High - Low	m3/h	840 - 480
Sound	Pressure High - Low	dB(A)	48 - 26
	Power High - Low	dB(A)	60
Unit	Height x Width x Depth	mm	293 x 798 x 230
	Weight	kg	9
Pipe Connection	Flare Connections (gas - liquid)	inch	1/2" - 1/4"
	Drain Pipe Connection OD/ID	mm	16/14
Remote controller			WH-TG01NE

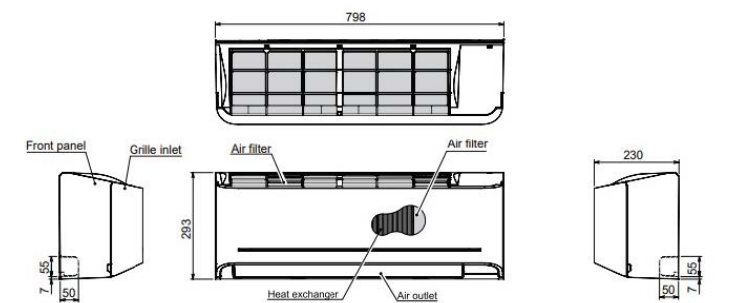
Accessories

RB-RXS33-E	Option Remote Controller (Weekly Timer)
RB-RXS34-E	Option Black remote

*All [Accessories / Controls](#)

Related Items:

- [Full Specification](#)
- [Dimensional Drawing](#)
- [Wiring Diagram](#)
- [Airflow/ Fan Curve](#)
- [Installation Manual](#)
- [Owners Manual](#)



SEIYA: RAS - B24S4KVG-E

- A++ in both Heating and cooling.
- Power supply to indoor or outdoor unit.
- Sleek and compact suitable for all applications.
- Available in both single and multi split applications.
- Compatible with Wi-Fi with adapter in the box as standard.



Retail Price (interactive icons):



UK



ROI



Hi - Res Image



ENTRY TIER PRODUCT RANGE

Performance

Indoor Unit	RAS-	B24S4KVG-E
Outdoor Unit	RAS-	24E2AVG-E
Nominal	Cooling Capacity	kW 6.5
	Heating Capacity	kW 7.0
	EER/COP	W/W 2.89/3.33
UK	Cooling Total/Sensible	kW 6.35/4.40
	Heating	kW 4.31
Cooling EN14825	Range Min. - Max.	kW 1.7 - 7.2
	Power Input	kW 2.25
	Pdesign	kW 6.5
	SEER/Energy Efficiency Class	6.90/A++
	Seasonal Energy Consumption	kWh/a 330

Indoor Data

Air Flow	High - Low	l/s 298 - 183
	High - Low	m3/h 1070 - 660
Sound	Pressure High - Low	dB(A) 48 - 29
	Power High - Low	dB(A) 61
Unit	Height x Width x Depth	mm 320 x 1050 x 250
	Weight	kg 15
Pipe Connection	Flare Connections (gas - liquid)	inch 1/2" - 1/4"
	Drain Pipe Connection OD/ID	mm 16/14
Remote controller		WH-TG01NE

Accessories

RB-RXS33-E	Option Remote Controller (Weekly Timer)
RB-RXS34-E	Option Black remote

*All Accessories / Controls

Related Items:

- [Full Specification](#)
- [Dimensional Drawing](#)
- [Wiring Diagram](#)
- [Airflow/ Fan Curve](#)
- [Owners Manual](#)

